

# Technical Data Sheet Magnetic Pulley

Height: 143 mm

Length: 280 mm

Width: 97 mm

Weight: 3,5 kg

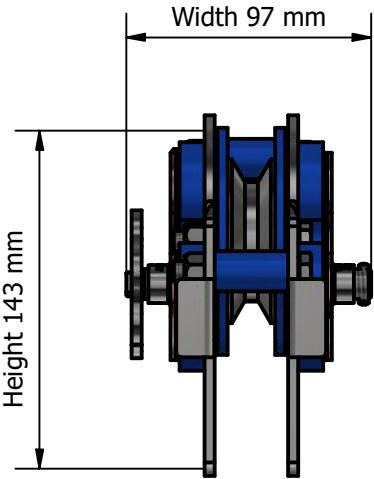
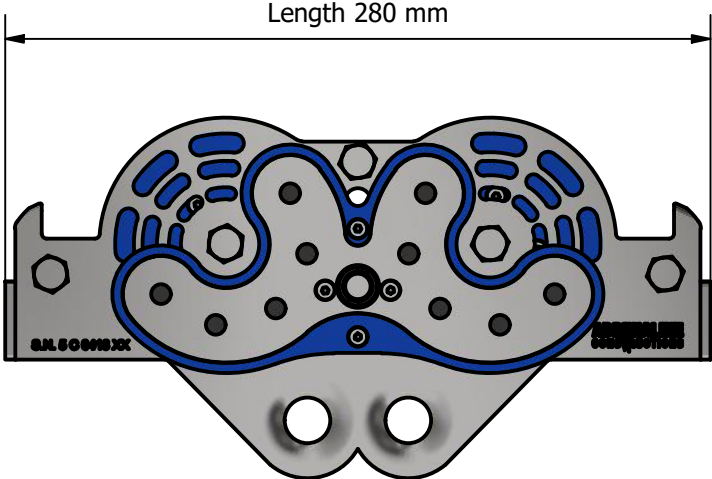
Materials: Stainless steel - Aluminium - Polymer

Direction of sliding: bidirectional

Coupling: automatic attachment

Slots for coupling: 2

Weight adjustments: 10 settings



Cable diameter allowed: 10 mm - 25 mm

Weight: 30 kg - 150 kg

Max speed: 150 km/h

Drop: 2% - 50%

Permitted use: any weather conditions

Type of flight allowed: single - tandem - horizontal

Operating temperature: -30°C/+50°C